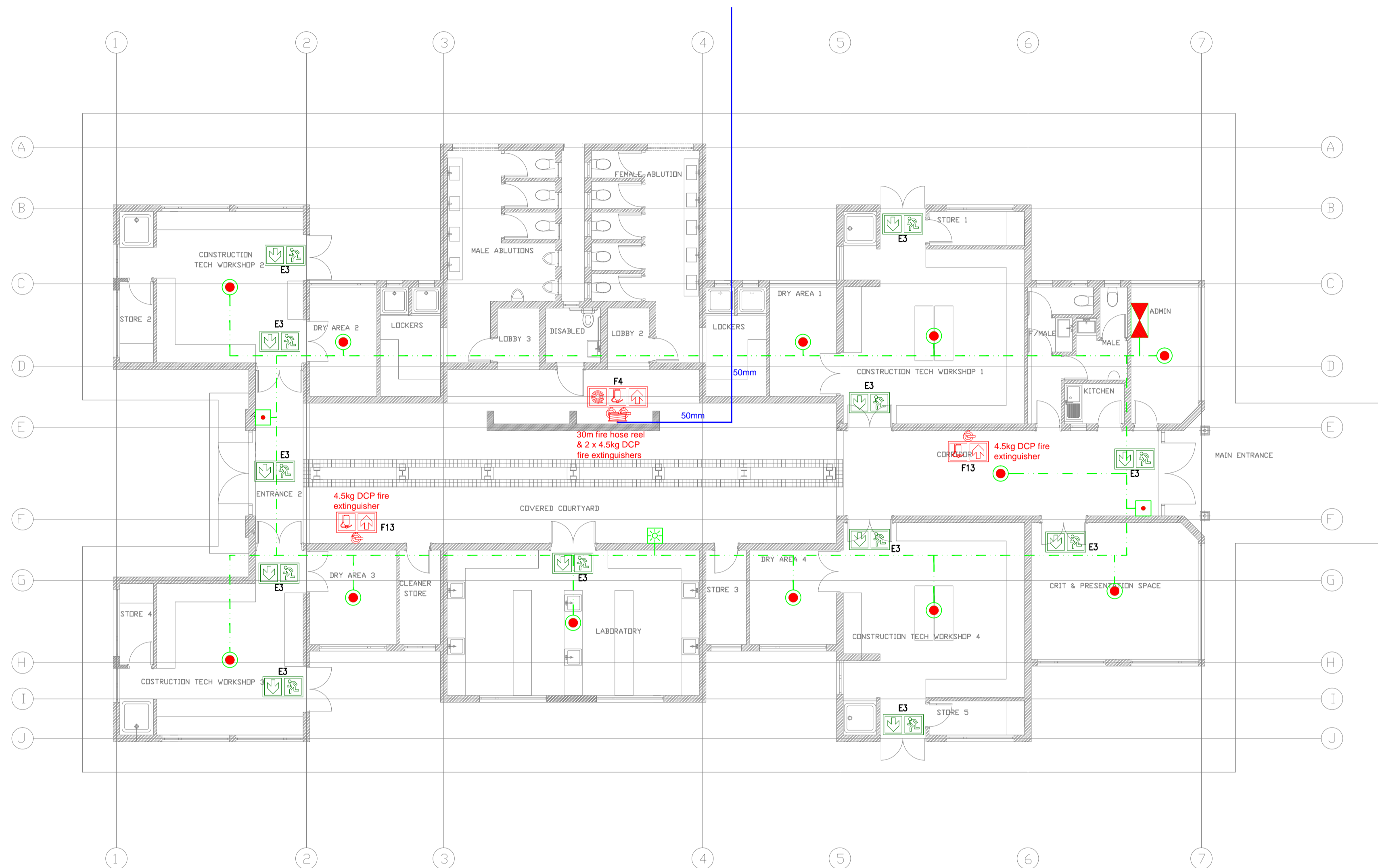
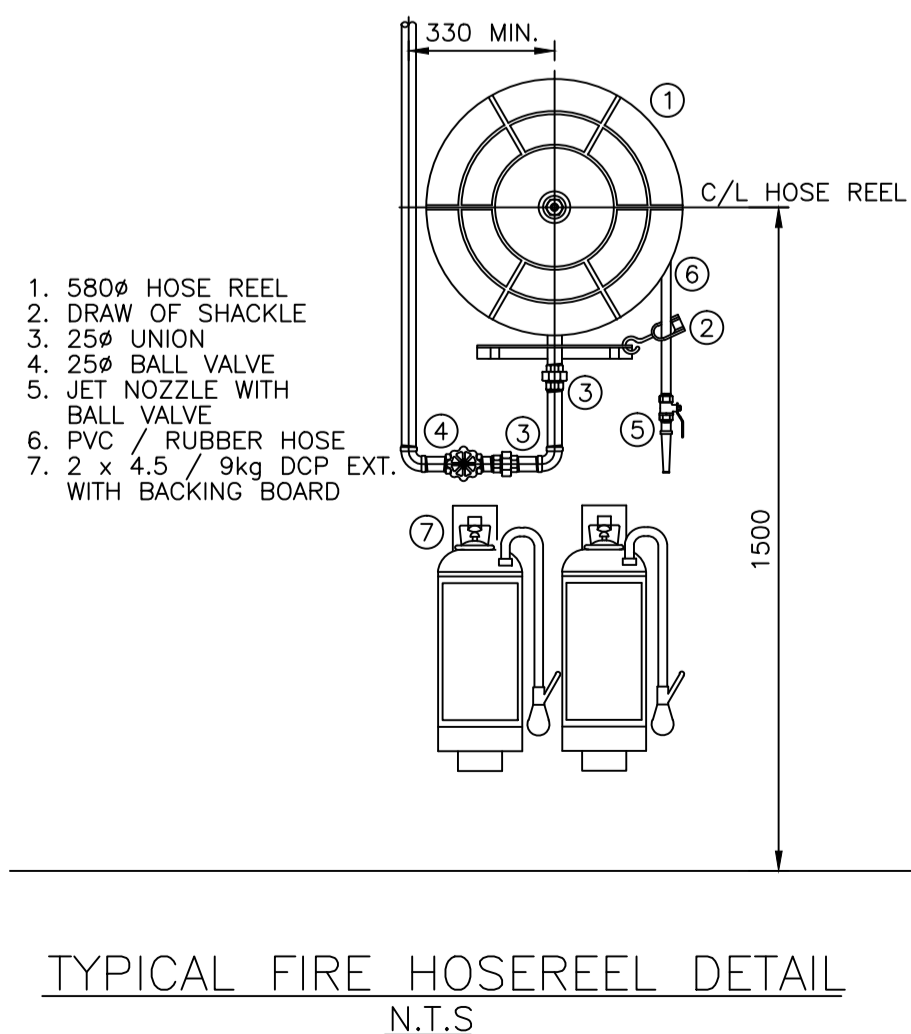


REVISION	DATE	DESCRIPTION	REV. BY
A	30-05-2015	ISSUED FOR INFORMATION	M.M

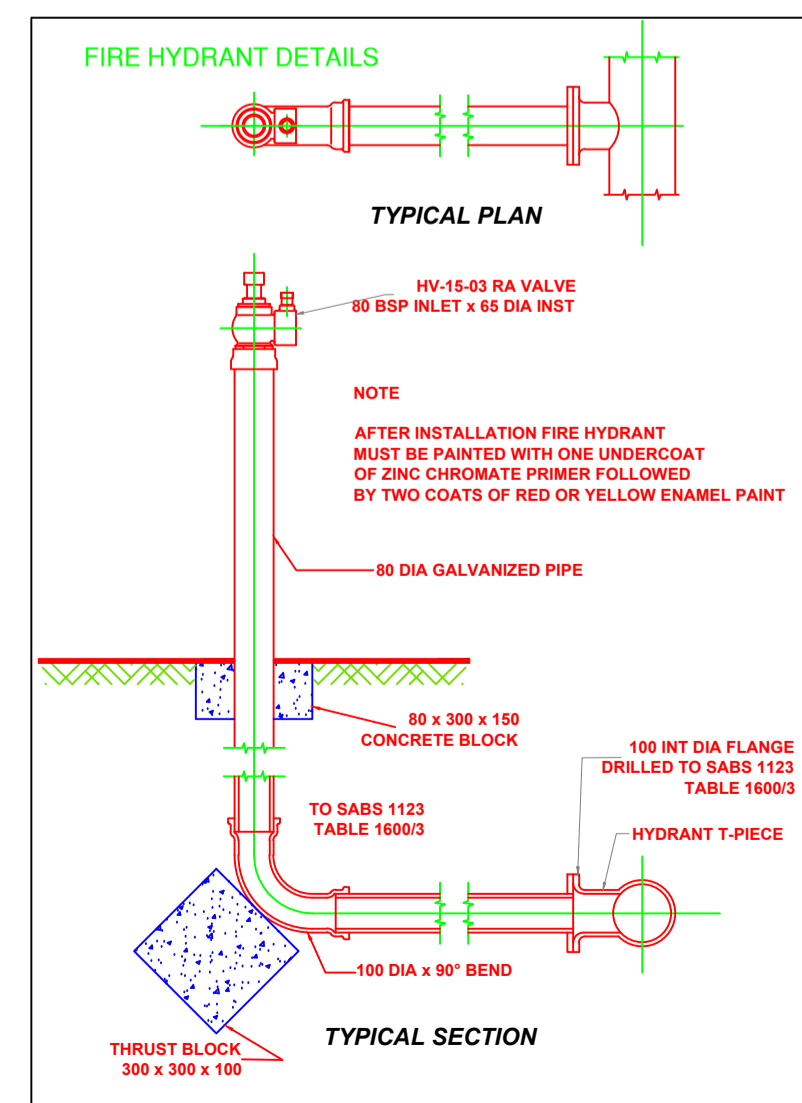
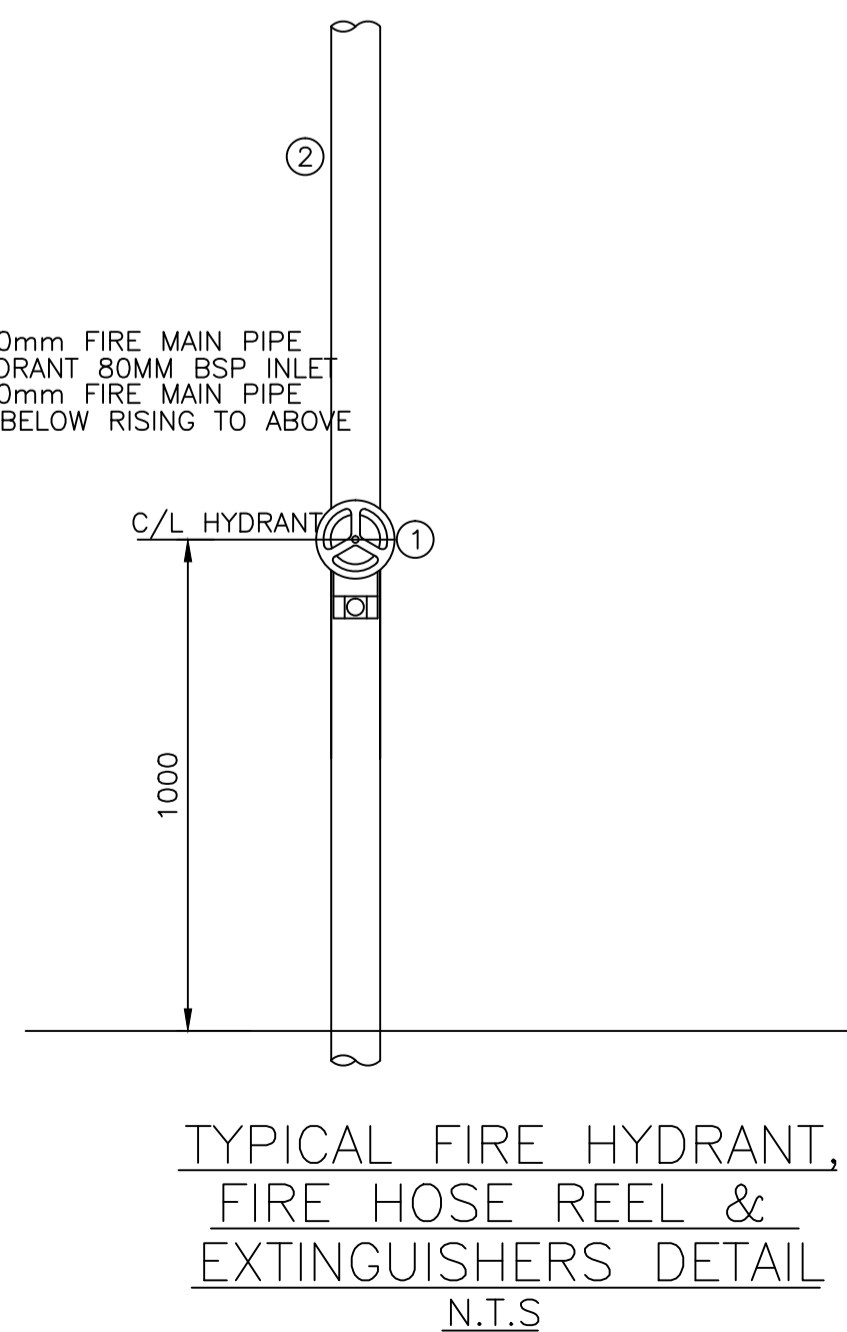
EXISTING LECTURE THEATRE



GROUND FLOOR PLAN  
Scale 1:100



1.  $\phi$  100mm FIRE MAIN PIPE TO HYDRANT 80MM BSP INLE
2.  $\phi$  100mm FIRE MAIN PIPE FROM BELOW RISING TO ABOVE



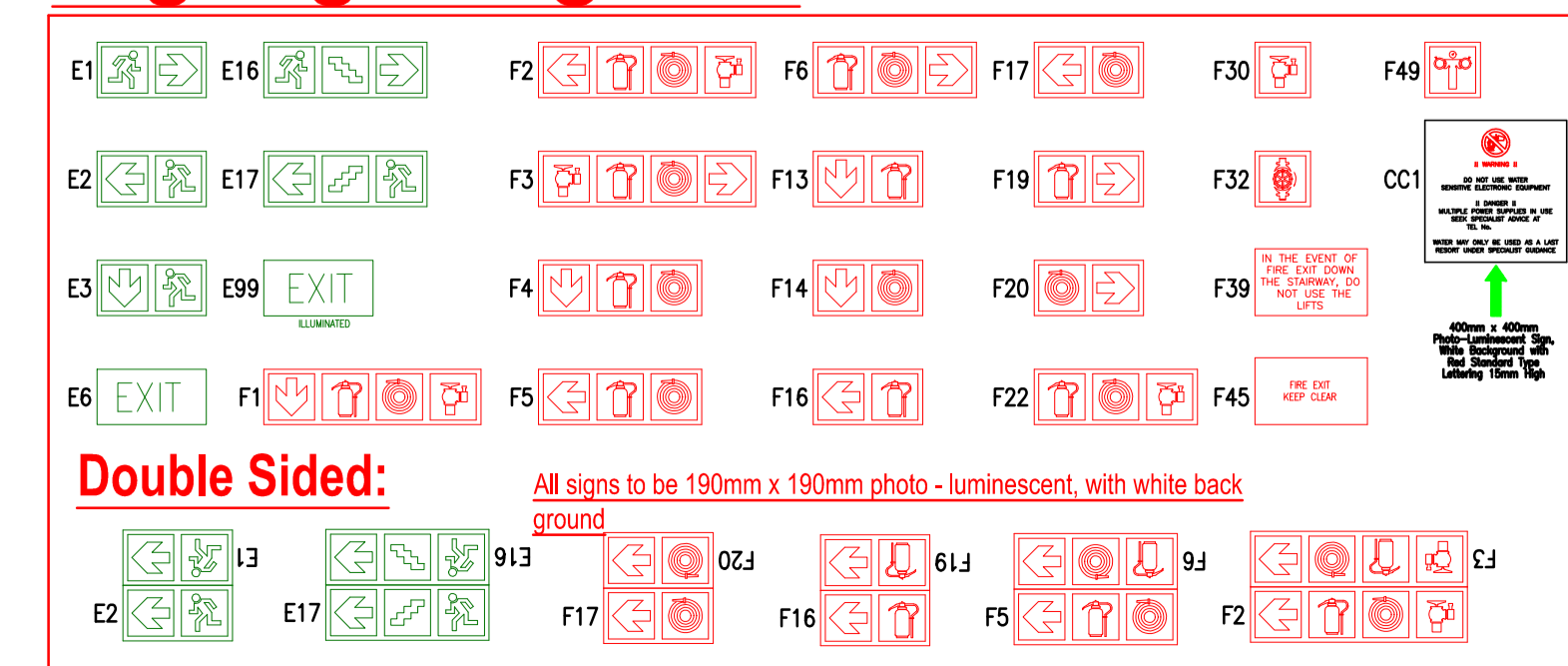
GENERAL FIRE NOTES:

- FIRE HOSE REEL:** HOSE REEL TO BE INSTALLED SECURELY TO POSITIONS AS INDICATED, TO BE FED BY 25mm DIAMETER PIPE CONNECTED TO 100mm DIAMETER HYDRANT MAIN AND TO BE INSTALLED IN ACCORDANCE WITH SABS 543 AND 4.34.
- PORTABLE FIRE EXTINGUISHERS:** 9KG DRY CHEMICAL POWDER FIRE EXTINGUISHERS TO BE INSTALLED IN BASEMENT AND 4.5KG DRY CHEMICAL POWDER TO BE INSTALLED IN THE OFFICE AREAS, SECURELY TO WALLS OR PURPOSE MADE BOARDS OR FRAMES. ALL FIRE EXTINGUISHERS TO BE INSTALLED IN ACCORDANCE WITH SABS 0105 AND 4.37.
- FIRE EXISTS:** ESCAPE DOORS TO BE IN A PROMINENT POSITIONS AS INDICATED ON PLAN. TIMBER FRAMED, LEDGED AND BATTENED DOORS TO ALL EXTERNAL PARTS OF BUILDING ESCAPE DOORS MAY ONLY BE FITTED WITH APPROVED LOCKING DEVICES (NO KEYS).
- SIGNAGE:** ALL FIRE FIGHTING EQUIPMENT AND FIRE EXISTS TO BE CLEARLY MARKED WITH PHOTOLUMINESCENT SYMBOLIC SIGNAGE, AND BE SECURELY MOUNTED WITH SUITABLE FIXING METHODS (NO ADHESIVES) TO BE INSTALLED IN ACCORDANCE WITH SABS 1186.
- ALL WORK TO COMPLY AND TO BE CARRIED OUT TO SANS 10400 OF 2011- AND AS PER RATIONAL DESIGN.
- BUILDING AND PROPERTY TO COMPLY WITH SANS 10400 4.55.
- ALL STRUCTURAL ELEMENTS AND COMPONENTS TO COMPLY TO SANS 10400 4.7.
- FIRE HYDRANT TO COMPLY TO SANS 10400 AND PIPEWORK TO COMPLY TO SANS 10400 PART W.
- ALL FIRE WATER RETICULATION TO BE TESTED BY THE FIRE DEPARTMENT AND WATER DEPARTMENT.
- INSULATION TO COMPLY TO SABS 0428.
- VENTILATION TO COMPLY TP 4.42 OR AS PER RATIONAL DESIGN.
- FIRE DOORS TO COMPLY WITH SABS 1253.
- MIN 4m WIDE ACCESS FOR FIRE DEPT.
- FLOOR COVERING TO COMPLY WITH 4.14 AND TO BE CLASS 3 OR LOWER.
- WALL COVERINGS TO COMPLY WITH 4.15 AND TO BE CLASS 3 OR LOWER.

FIRE DETECTION LEGEND

- FIRE ALARM PANEL
- SMOKE DETECTOR (OPTICAL)
- HEAT AND RATE OF RISE DETECTOR
- COMBINED SIREN STROBE UNIT
- FIRE BREAK GLASS UNIT
- WIRING : 1.5mm<sup>2</sup> (min)

Signage Legend:



ALL WORK TO BE IN ACCORDANCE WITH N.B.R. BRAND NAMES DENOTE SIMILAR & EQUAL APPROVED. ALL WORK AND MATERIALS IS TO COMPLY TO RELEVANT S.A.S. CODES WHERE APPLICABLE. ALL DIMENSIONS AND HEIGHTS ARE TO BE CHECKED ON SITE BEFORE WORK IS PUT IN HAND. ALL DISCREPANCIES TO BE REPORTED TO ENGINEER.

Architect

Ramin square  
31 Hans Van Rensburg street  
Polokwane  
Tel: (+2715)291 4081  
Fax: (+2715)291 4081  
Cel: (+27)(0)82 404 0467  
rendani@aspirearchitects.co.za



Client

UNIVERSITY OF VENDA  
University Road  
Thohoyandou  
0950  
Private Bag X5050  
Thohoyandou 0950



Project

CONSTRUCTION  
TECHNOLOGY LABORATORY

Consultant

High Voltage System Engineers

P.O.Box 11076  
Vorna Valley, 1686  
TEL: (011) 805-4627  
FAX: (086) 561-8668  
Email: admin@hvse.co.za



Description

FIRE INSTALLATION  
AND FIRE DETECTION  
LAYOUT

Drawing Number

E12030PRA11-F-01

Scale	Design
1:100	VS
Drawn	Approved
VS	MM
Date	Revision
12-11-2014	A